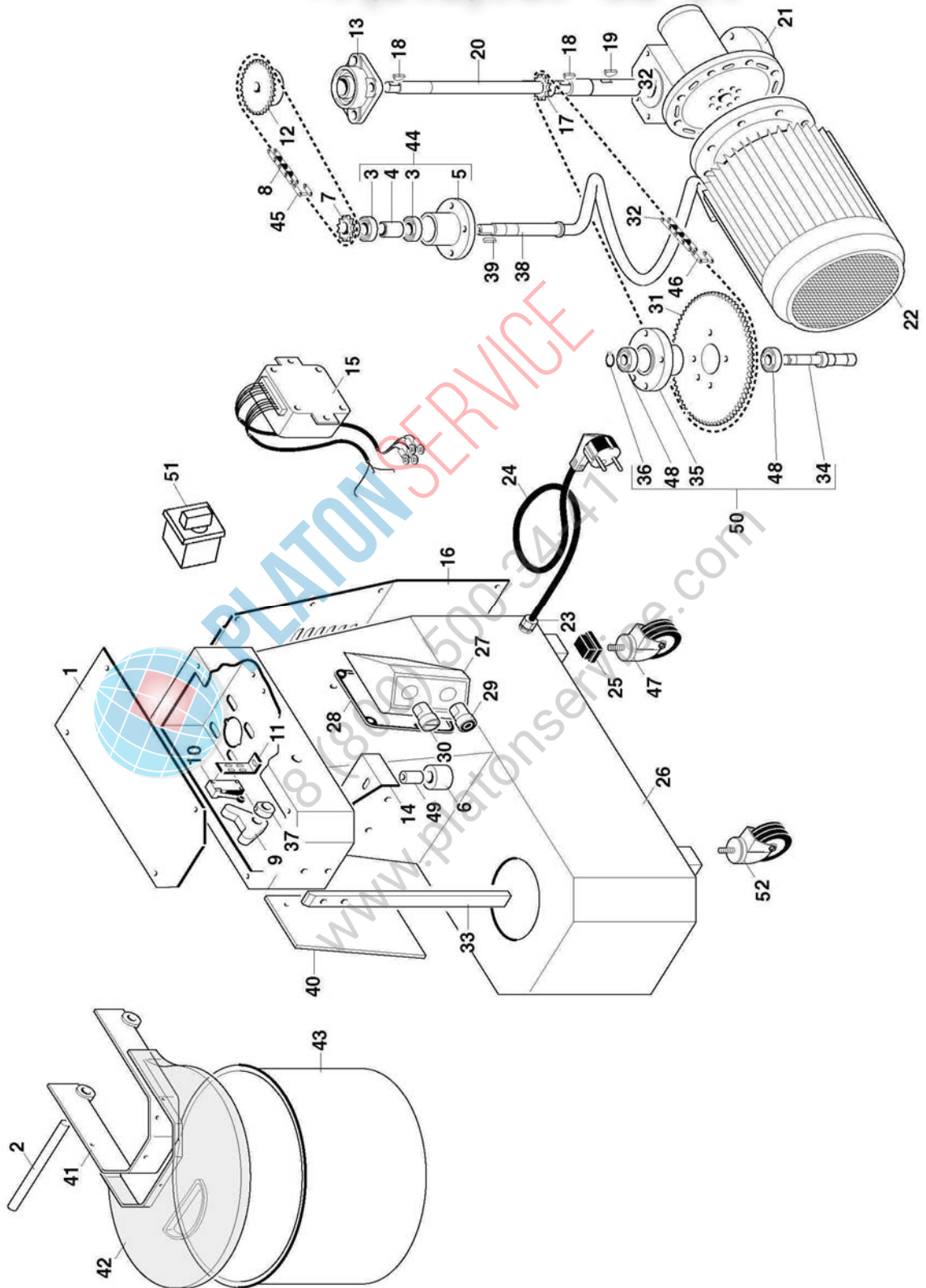


Зип Общепит

vsezip.ru

+7(812)987-08-81

**Impastatrice a spirale mod.7-12-18S**  
**Spiral kneader mod.7-12-18S**



# IMPASTATRICE A SPIRALE MOD. IM7-12-18S SPIRAL KNEADER MOD. IM7-12-18S

| Rif No | Codice Code | Caratteristiche Characteristics | Descrizione Description                  |
|--------|-------------|---------------------------------|--|
| 1      | SL1103      | (7)                             | Coperchio Cover                          |
| 1      | SL0002      | (12-18)                         | Coperchio Cover                          |
| 2      | SL1110      | (7)                             | Perno Pivot                              |
| 2      | SL0021      | (12-18)                         | Perno Pivot                              |
| 3      | SL0131      | 6203 2RS                        | Cuscinetto Bearing                       |
| 4      | SL0020      |                                 | Distanziale Spacer                       |
| 5      | SL0022      |                                 | Supporto Support                         |
| 6      | SL2655      | ⊕ (12-18)                       | Ruota Wheel                              |
| 7      | SL0024      | 3/8"x7/32" Z=15                 | Pignone Pinion                           |
| 8      | SL1111      | ⊕ 3/8"x7/32" (7)                | Catena Chain                             |
| 8      | SL0025      | ⊕ 3/8"x7/32" (12)               | Catena Chain                             |
| 8      | SL0026      | ⊕ 3/8"x7/32" (18)               | Catena Chain                             |
| 9      | SL0035      | (7-12)                          | Battuta Stop                             |
| 9      | SA3300      | (18)                            | Battuta Stop                             |
| 10     | SL0885      | ⊕                               | Microinterruttore Microswitch            |
| 11     | SL0397      |                                 | Staffa Bracket                           |
| 12     | SL0030      | 3/8"x7/32" Z=29                 | Pignone Pinion                           |
| 13     | SL0032      | UCF204                          | Supporto Support                         |
| 14     | SL2602      | (12)                            | Staffa Bracket                           |
| 14     | SL2603      | (18)                            | Staffa Bracket                           |
| 15     | SA1210      | ⊕ 400V/3Ph/50Hz                 | Impianto elettrico Electric installation |
| 15     | SA1220      | ⊕ 230V/1Ph/50Hz                 | Impianto elettrico Electric installation |
| 15     | SA1230      | 20/12/02 f.p.(*)(2speed)        | Impianto elettrico Electric installation |
| 16     | SL1114      | (7)                             | Coperchio Cover                          |
| 16     | SL2845      | (12-18)                         | Coperchio Cover                          |
| 17     | SL0044      | 8x3 Z=16                        | Pignone Pinion                           |
| 18     | SL0819      | 5x6,5                           | Linguetta Key                            |
| 19     | SL0043      | 6x9 (7)                         | Linguetta Key                            |
| 19     | SL0047      | 8x11 (12-18)                    | Linguetta Key                            |
| 20     | SL1116      | (7)                             | Albero Shaft                             |
| 20     | SL0048      | (12-18)                         | Albero Shaft                             |
| 21     | SL1113      | (7)                             | Riduttore Gear box                       |
| 21     | SL0042      | (12-18)                         | Riduttore Gear box                       |
| 22     | SL1120      | 400V/3Ph/50Hz (7)               | Motore Motor                             |
| 22     | SL1112      | 230V/1Ph/50Hz (7)               | Motore Motor                             |
| 22     | SL0040      | 400V/3Ph/50Hz(12-18)            | Motore Motor                             |
| 22     | SL0041      | 230V/1Ph/50Hz(12-18)            | Motore Motor                             |
| 22     | SL0939      | 400V/3Ph/50Hz (2 speed)         | Motore Motor                             |
| 23     | SL1668      | PG11                            | Pressacavo Cable clamp                   |
| 24     | SL1841      | 3Ph+Gnd                         | Cavo elettrico Electric cable            |
| 24     | SL1671      | 1Ph+N+Gnd                       | Cavo elettrico Electric cable            |
| 25     | SL0052      | ⊕                               | Piedino Foot                             |
| 26     | SL0953      | (7)                             | Base Base                                |
| 26     | SL0060      | (12)                            | Base Base                                |
| 26     | SL0023      | (18)                            | Base Base                                |
| 27     | SL0937      | (12-18)                         | Scatola Box                              |
| 28     | SL0396      |                                 | Guarnizione Gasket                       |
| 29     | SL0807      | ⊕ Stop                          | Pulsante Push button                     |
| 30     | SL1049      | ⊕ Start                         | Pulsante Push button                     |
| 30     | SL0901      | 20/12/02 f.p.(*)(2speed)        | Pulsante Push button                     |
| 31     | SL1117      | 8x3 Z=76 (7)                    | Corona Crown                             |
| 31     | SL0057      | 8x3 Z=85 (12-18)                | Corona Crown                             |
| 32     | SL1118      | ⊕ 8x3 (7)                       | Catena Chain                             |
| 32     | SL0058      | ⊕ 8x3 (12-18)                   | Catena Chain                             |
| 33     | SL1108      | (7)                             | Asta Rod                                 |
| 33     | SL0013      | (12-18)                         | Asta Rod                                 |
| 34     | SL0014      |                                 | Albero Shaft                             |
| 35     | SL0016      |                                 | Supporto Support                         |
| 36     | SL0017      | ø17                             | Seeger Seeger                            |
| 37     | SL0036      |                                 | Camma Cam                                |
| 38     | SL1107      | (7)                             | Spirale Spiral                           |
| 38     | SL0011      | (12-18)                         | Spirale Spiral                           |
| 39     | SL0010      | 5x5x20                          | Linguetta Key                            |
| 40     | SL1445      | (7)                             | Protezione Protection                    |
| 40     | SL2638      | (12-18)                         | Protezione Protection                    |
| 41     | SL0004      | (12)                            | Staffa Bracket                           |
| 41     | SL0109      | (18)                            | Staffa Bracket                           |
| 42     | SL0405      | ⊕ (7)                           | Coperchio Cover                          |
| 42     | SL0005      | ⊕ (12)                          | Coperchio Cover                          |
| 42     | SL0006      | ⊕ (18)                          | Coperchio Cover                          |
| 43     | SL1106      | (7)                             | Pentola Pan                              |
| 43     | SL0008      | (12)                            | Pentola Pan                              |
| 43     | SL0009      | (18)                            | Pentola Pan                              |
| 44     | SA4000      | Assembly                        | Supporto Support                         |
| 45     | SL1629      | ⊕ 3/8"x7/32"                    | Giunto Joint                             |
| 46     | SL1545      | ⊕ 8x3                           | Giunto Joint                             |

(\*): fuori produzione / out of production

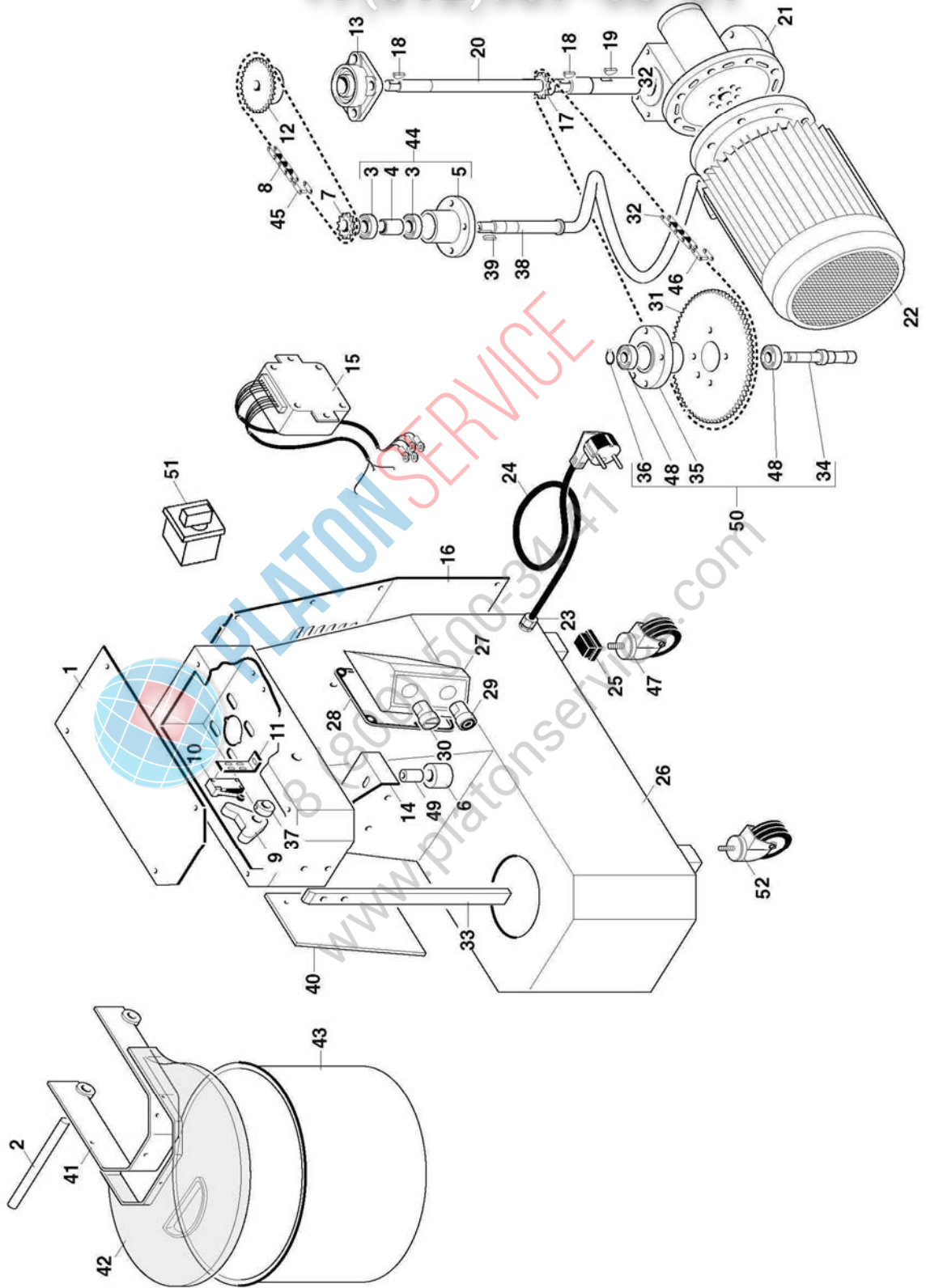
⊕ : ricambio consigliato / spare part suggested

Зип Общепит

vsezip.ru

+7(812)987-08-81

**Impastatrice a spirale mod.7-12-18S**  
**Spiral kneader mod.7-12-18S**



**IMPASTATRICE A SPIRALE MOD. IM7-12-18S  
SPIRAL KNEADER MOD. IM7-12-18S**

| Rif No | Codice Code | Caratteristiche Characteristics | Descrizione Description                         |
|--------|-------------|---------------------------------|---|
| 47     | SL2117      | ø95 M10x40                      | Ruota fissa Fixed wheel                         |
| 48     | SL0015      | 6203 2RS                        | Cuscinetti Bearing                              |
| 49     | SL1090      |                                 | Distanza Spacer                                 |
| 50     | SA1900      | Assembly                        | Supporto Support                                |
| 51     | SL2743      | 2 speed                         | Commutatore di velocità Speed changeover switch |
| 52     | SL2116      | ø95 M10x40                      | Ruota girevole Revolving wheel                  |

(\*): fuori produzione / out of production ⊕ : ricambio consigliato / spare part suggested



**PLATON SERVICE**

8 (800) 500-34-41

www.platonservice.com